



IGG-501A, IGG-501B

Water & Powder Dual Use Gas Landmine

Instruction Manual

Thank you for purchasing S-Thunder's Gas Landmine. This Gas Landmine is superbly designed and engineered by S-Thunder, and you will enjoy its use for many years to come. Before using the Gas Landmine please read the following warnings and operating instructions.

WARNING

This Gas Landmine is not a toy and is not intended for use by any persons under the age of 18 years.



WARNINGS:

- Persons under the age of 18 should not handle or operate the Gas Landmine nor the gas cylinder
- Failure to follow the instructions herein may result in serious injuries or property damage
- Only authorized technicians can repair the Gas Landmine; do not disassemble the Gas Landmine or attempt to modify the Gas Landmine in any way. Serious injuries may occur with modified units
- Wear protective mask and equipment at all times while operating this Gas Landmine to avoid face or eyes injury
- Seek immediate medical attention if you or anyone is injured by the Gas Landmine or its projectiles

OPERATING INSTRUCTIONS

- Remove safety pins and Gas Landmine from base; make sure centre trigger is flush with the bottom of the gas landmine before injecting with Top Gas (Fig. 1)
- Replace Gas Landmine onto base and replace safety pins (Fig. 2)
- Add water or powder (max volume: 48ml) (Fig. 3)
- Remove safety pins and step on Gas Landmine to activate (Fig. 4)
- If the centre trigger is not flush with the bottom of the gas landmine, press the trigger with a pencil and release until it is flush, otherwise, remove and re-install the centre core.

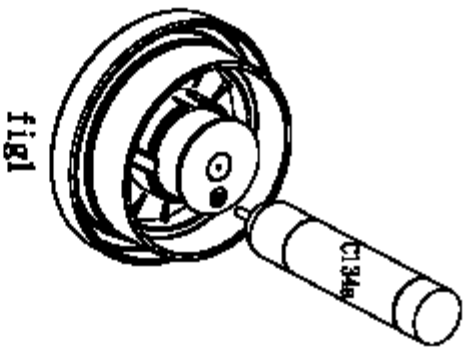


fig2

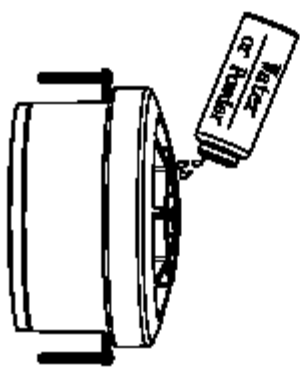
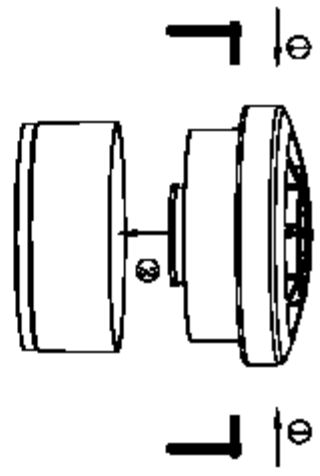


fig3

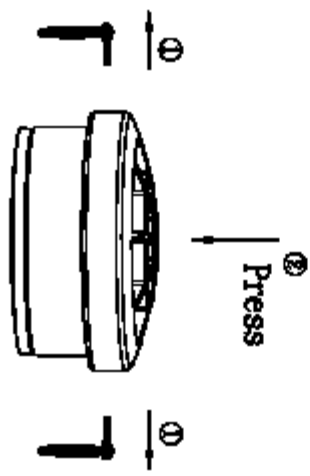


fig4

REPLACEMENT PARTS AVAILABLE:

- Condensed gas cylinder, part # TGC-X004
- X-Power CO₂ Replacement Core, Part # ACC-XP01
- Colored powder, part #
 - Set of three single charge (purple, yellow & blue) – ACC-CP01
 - Large size multiple charges (purple) – ACC-PD02P
 - Large size multiple charges (yellow) – ACC-PD02Y
 - Large size multiple charges (blue) – ACC-PD02B

S-Thunder Limited

www.s-thunder.com

info@s-thunder.com